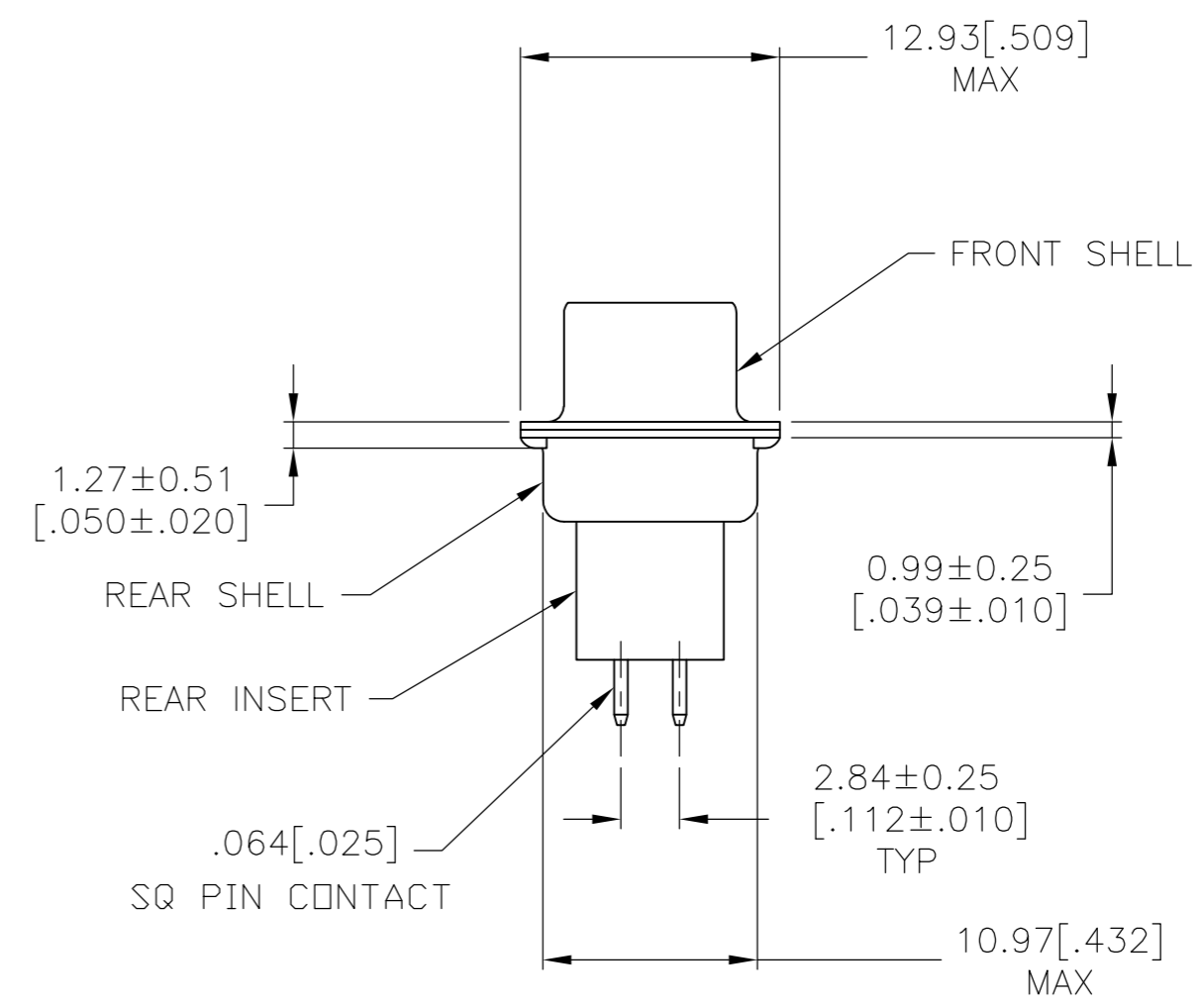
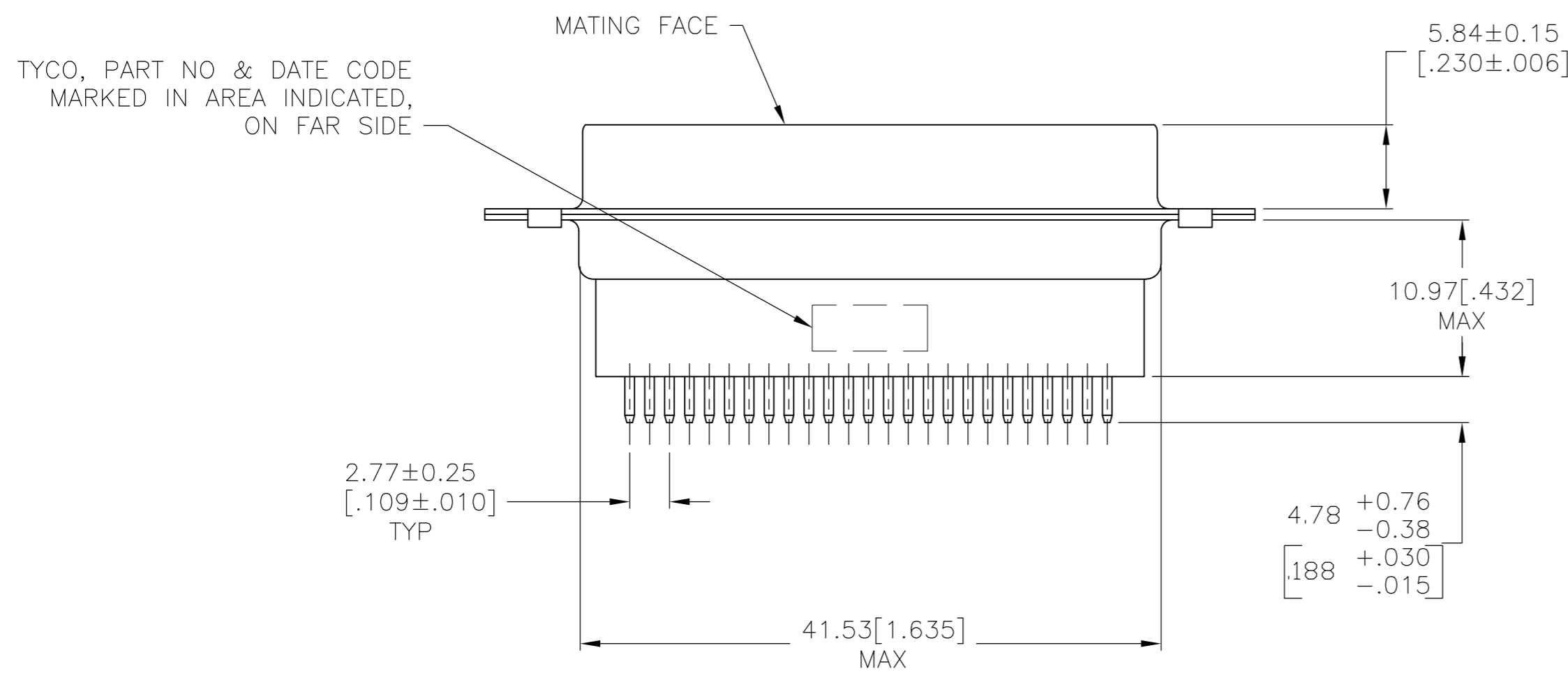
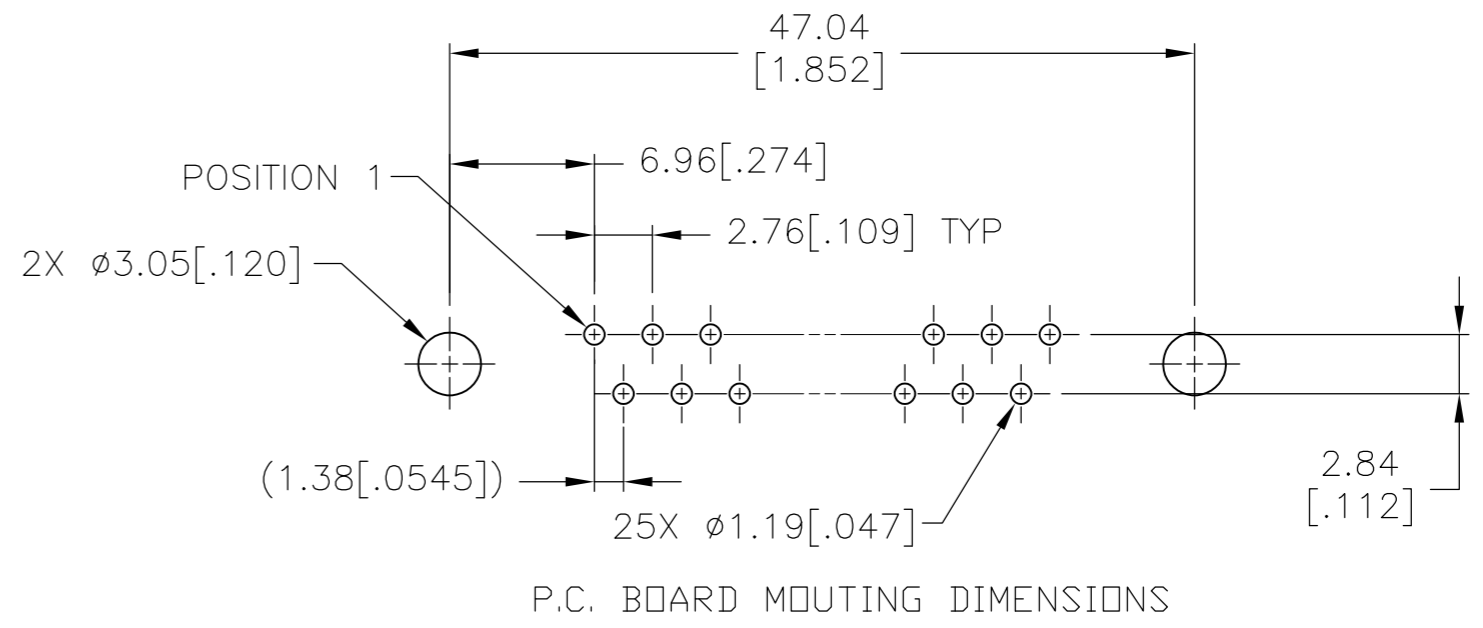
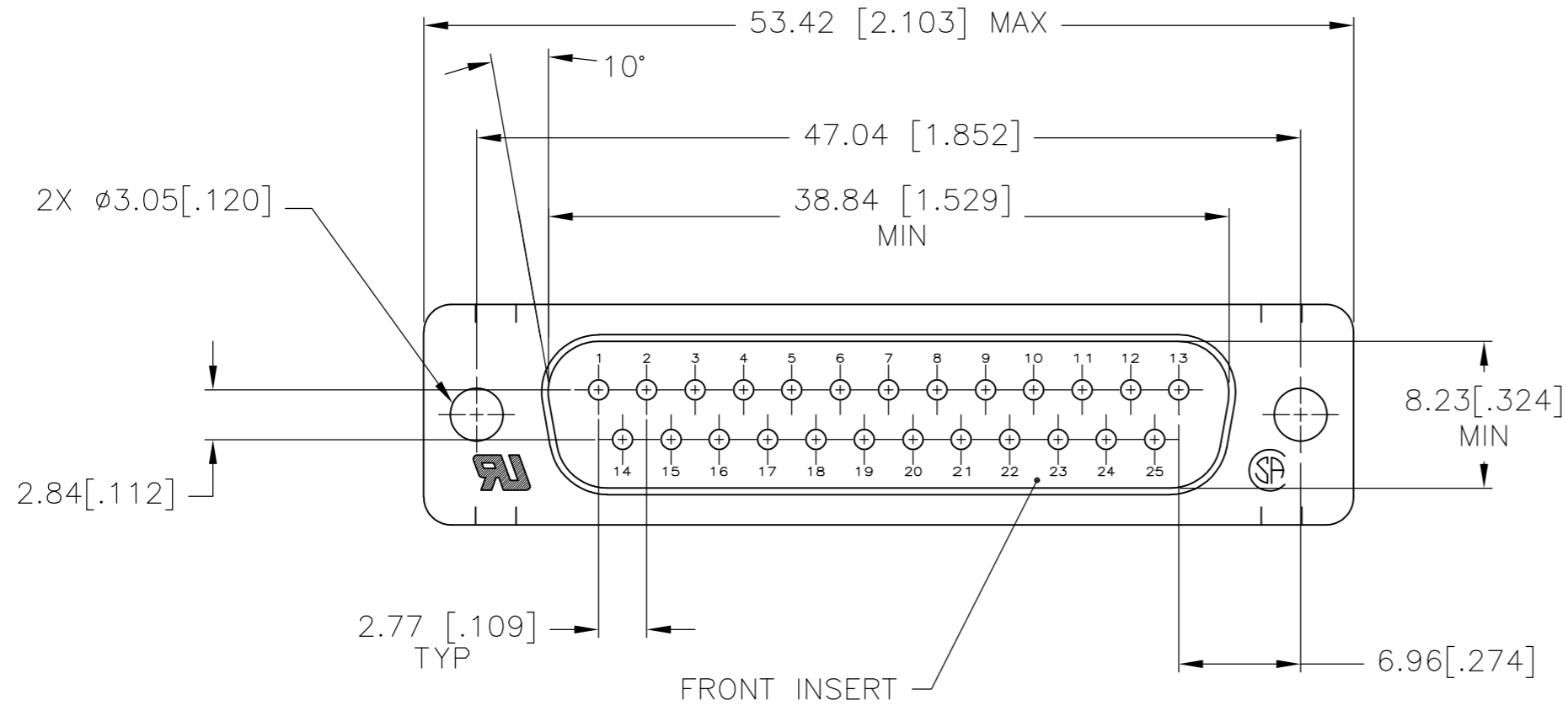


THIS DRAWING IS UNPUBLISHED. RELEASED FOR PUBLICATION  
 © COPYRIGHT 2005 By - ALL RIGHTS RESERVED.

| LOC |     | DIST        |  | REVISIONS                 |           |      |    |
|-----|-----|-------------|--|---------------------------|-----------|------|----|
| P   | LTR | DESCRIPTION |  | DATE                      | DWN       | APVD |    |
| GP  | 00  | D           |  | REVISED PER ECO-14-011808 | 11AUG2014 | AP   | SB |



⚠ MOLDED PARTS: GLASS-FILLED PBT OR GLASS-FILLED NYLON, UL94V-0 RATED. COLOR: BLACK.  
 SHELLS: CARBON STEEL  
 CONTACTS: BRASS

⚠ SHELLS: 5.08µm [.000200] MIN ZINC WITH YELLOW CHROMATE COATING.  
 CONTACTS: GOLD PLATED FOR LENGTH OF 3.81 [.150] MIN FROM MATING END,  
 0.76µm [.000030] MIN GOLD IN MATED AREA,  
 2.54µm [.000100] MIN TIN ON SOLDER END, BOTH OVER  
 1.27µm [.000050] MIN NICKEL.  
 OR  
 GOLD FLASH OVER PALLADIUM-NICKEL PLATED FOR LENGTH OF  
 3.81 [.150] MIN FROM MATING END,  
 0.76µm [.000030] MIN TOTAL IN MATED AREA,  
 2.54µm [.000100] MIN TIN ON SOLDER END, BOTH OVER  
 1.27µm [.000050] MIN NICKEL.

5205737-7  
 PART NUMBER

|   |             |                                  |  |                    |
|---|-------------|----------------------------------|--|--------------------|
| THIS DRAWING IS A CONTROLLED DOCUMENT.  |             | DWN<br>B. LATTUCA<br>09NOV2005   | TE Connectivity  |                    |
| DIMENSIONS:<br>mm [INCHES]  |             | CHK<br>S. BOLASH<br>14NOV2005    |  |                    |
| TOLERANCES UNLESS OTHERWISE SPECIFIED:  |             | APVD<br>M. WALMSLEY<br>14NOV2005 | NAME<br>PLUG ASSY, SIZE 3,<br>25 POS, VERTICAL,<br>AMPLIMITE HDP |                    |
| 0 PLC ± -<br>1 PLC ± -<br>2 PLC ± -<br>3 PLC ± -<br>4 PLC ± -<br>ANGLES ± -<br>FINISH |             | PRODUCT SPEC<br>108-40025        | SIZE<br>A2   | CAGE CODE<br>00779 |
| MATERIAL<br>1   | FINISH<br>2 | APPLICATION SPEC<br>114-40013    | DRAWING NO<br>C=5205737  | RESTRICTED TO<br>- |
| CUSTOMER DRAWING  |             |                                  | SCALE<br>NTS   | SHEET<br>1 of 1    |